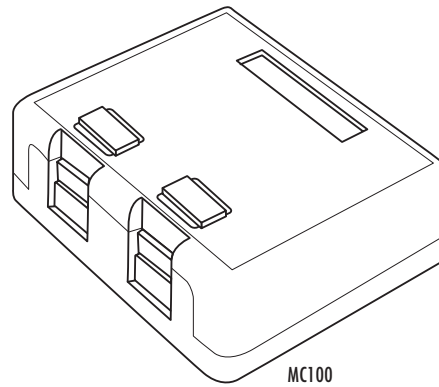


# SURFACE MOUNT OUTLET

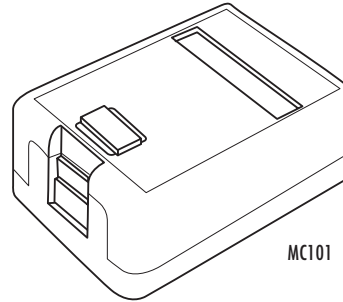
Generic Category 5e surface blocks exceed TIA and ISO requirements for Enhanced Category 5 performance and complies with all of the performance requirements for current applications such as Gigabit Ethernet (1000Base-Tx), 10/100Base-Tx, Token Ring, 155 Mbps ATM, 100 Mbps TP-PMD, ISDN, and digital video and analog and digital voice (VoIP).

The Generic surface block features universal wiring blocks which permit field installation to either T568A or T568B wiring. Punchdown blocks are suitable for both standard 110 and Krone-style single wire tools.

The surface block comes standard with CAT5e jacks, shuttered entry, label window, cable ties, screws and double sided tape and are available in one and two module versions that can be wired for either side or base entry of cables.



MC100



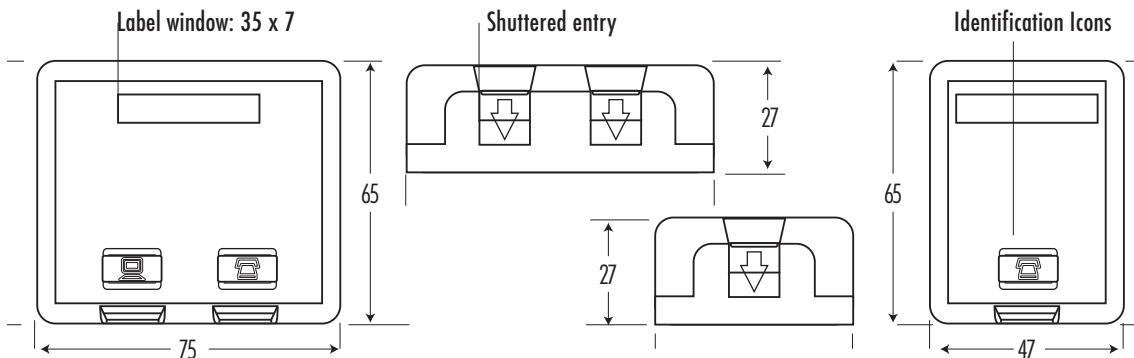
MC101

- ➔ TIA & ISO Compliant
- ➔ T568A & T568B
- ➔ Shuttered entry
- ➔ Single or Dual Version
- ➔ 110 & Krone-type termination



## TECHNICAL INFORMATION

Transmission Performance (-dB)	@100Mhz	CAT5e Standard	Mechanical Characteristics
NEXT	45.0	≥ 43.0	Durability > 700 insertions / extractions
FEXT	46.0	≥ 35.1	RJ45 pin connector Meets FC part 68, sub part F and IEC-603-7 compliant
Insertion Loss	0.25	≤ 0.40	Contact material Phosphor Bronze, 50u inches Gold over 100u inches Nickel
Return Loss	23.0	≥ 20.0	IDC Contact Accepts 0.64mm - 0.40mm (AWG 22-26)



## ORDERING INFORMATION

MC100 **281069** Single RJ45 CAT5e Surface Mount Outlet - Shuttered      MC101 **281070** Dual RJ45 CAT5e Surface Mount Outlet - Shuttered

## DISTRIBUTED BY

**ANIXTER** www.anixter.com

www.generic-cabling.com  
 COMPONENT WARRANTY

practical  
 cabling  
 components