
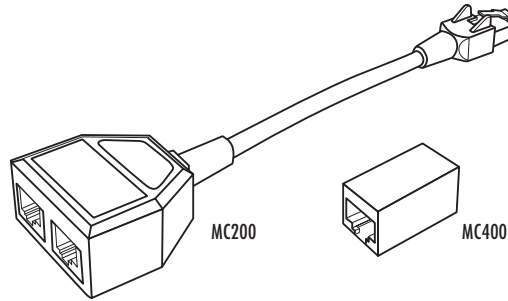


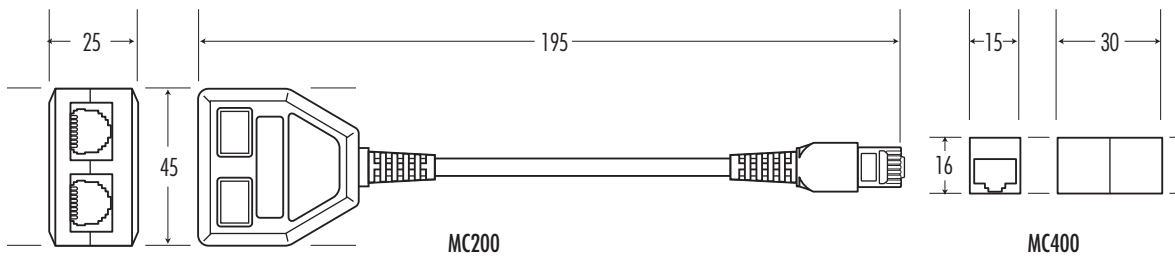
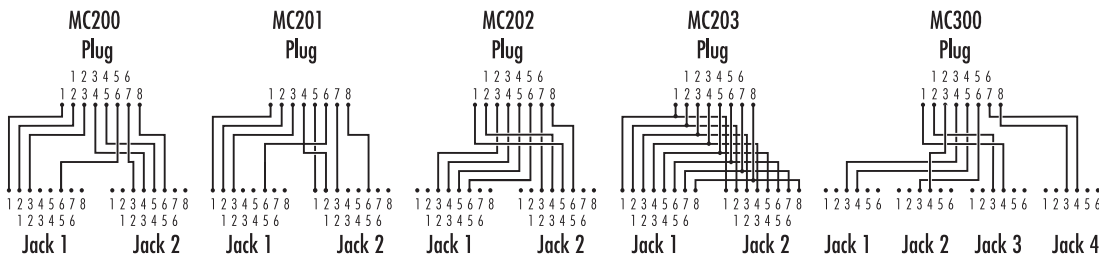
T-SPLITTERS & COUPLER

The Generic range of Adapters and Couplers provide added flexibility when your current installed infrastructure needs temporary or permanent modification. The Generic T-Splitter gives the end user the ability to break out a standard 4pr Jack and cable into multiple applications. All T-Splitters come standard with Voice & Data icons as well as a wiring diagram. The Generic modular through adapters are configured pin to pin and also allow temporary modification for extension to a cabling system.

- ➔ Converts one 4PR jack into multiple jacks
- ➔ Includes voice and data icons
- ➔ Multiple configuration
- ➔ 4-way version available
- ➔ Straight through adapter version 



TECHNICAL INFORMATION



ORDERING INFORMATION

MC200 [281072](#) Splits a 4-pair T568A/T568B Jack for 10BASE-T, Token Ring or voice applications

MC201 [281073](#) Splits a 4-pair T568A/T568B Jack for 10BASE-T applications at either Jack

MC202 [281074](#) Splits a 4-pair T568A jack for Token Ring or voice applications at either Jack

MC203 [281071](#) Bridges all Jack pairs and provides an additional 4-pair Jack with the same wiring

MC300 [281075](#) Modular 4-way Splitter, T568A

MC400 [281164](#) Cat5e Coupler 2 x 8P8C Black

DISTRIBUTED BY

ANIXTER www.anixter.com