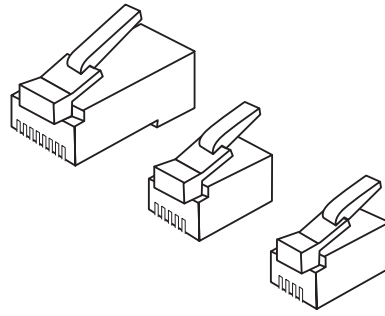
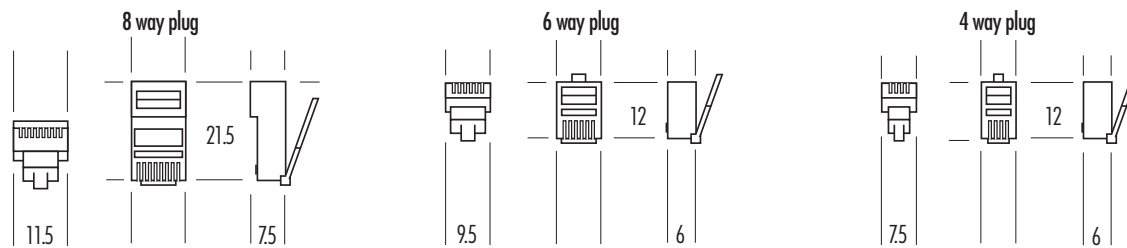
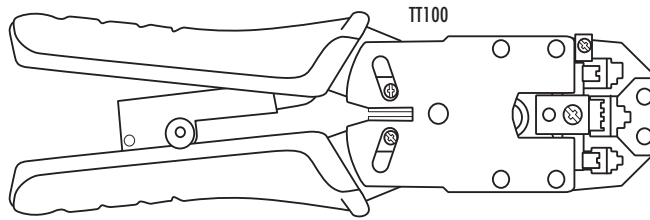


RJ MODULAR PLUGS

Generic RJ Modular Plugs are designed for termination to line cords for patching or connecting telephones and computer equipment to work area outlets. We offer plugs for 24-28AWG flat stranded cable and 24AWG twisted pair stranded or solid cable applications. The plugs are available in 4P4C, 6P4C, 6P6C & 8P8C configurations in bags of 100 pieces and can be easily terminated using the Generic universal modular crimp tool.



- ➔ Flat or Round Cable entry options
- ➔ Stranded or solid wire contacts
- ➔ 4, 6 & 8 contact versions
- ➔ One crimp tool for all plugs
- ➔ ACA compliant



ORDERING INFORMATION

MC510 [279697](#) 4P4C Plug - Flat Multistrand - pack of 100

MC520 [279701](#) 4P4C Plug - Round Multistrand - pack of 100

MC511 [279698](#) 6P4C Plug - Flat Multistrand - pack of 100

MC521 [279702](#) 6P4C Plug - Round Multistrand - pack of 100

MC512 [279699](#) 6P6C Plug - Flat Multistrand - pack of 100

MC522 [279703](#) 6P6C Plug - Round Multistrand - pack of 100

MC513 [279700](#) 8P8C Plug - Flat Multistrand - pack of 100

MC523 [279704](#) 8P8C Plug - Round Multistrand - pack of 100

MC530 [279705](#) 6P4C Plug - Round Solid - pack of 100

TT100 [280071](#) Modular Crimp Tool for 4P, 6P and 8P

MC531 [279706](#) 6P6C Plug - Round Solid - pack of 100

MC532 [279707](#) 8P8C Plug - Round Solid - pack of 100

GENERIC
 MODULAR CONNECTORS

www.generic-cabling.com
 COMPONENT

 WARRANTY

DISTRIBUTED BY

ANIXTER www.anixter.com

*practical
cabling
components*