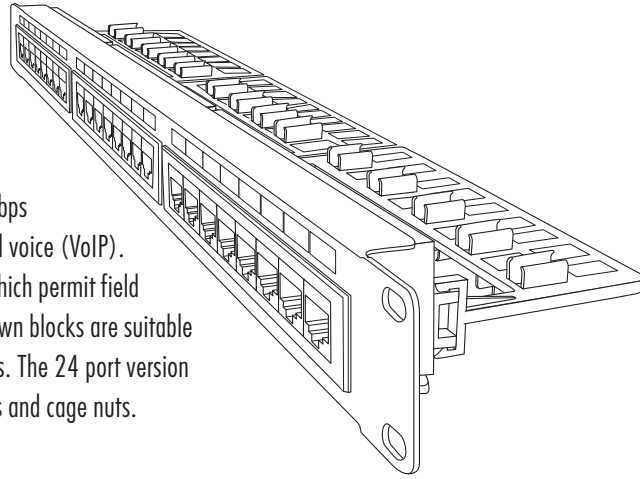


RJ45 UTP PATCH PANEL

Generic Category 5e Patch Panels exceed TIA and ISO requirements for Enhanced Category 5 performance and complies with all of the performance requirements for current applications such as Gigabit Ethernet (1000BASE-Tx), 10/100BASE-Tx, Token Ring, 155 Mbps ATM, 100 Mbps TP-PMD, ISDN, and digital video and analog and digital voice (VoIP). Generic Patch Panels feature universal wiring blocks which permit field installation to either T568A or T568B wiring. Punchdown blocks are suitable for both standard 110 and Krone-style single wire tools. The 24 port version is 1RU high and comes standard with loomng brackets and cage nuts.

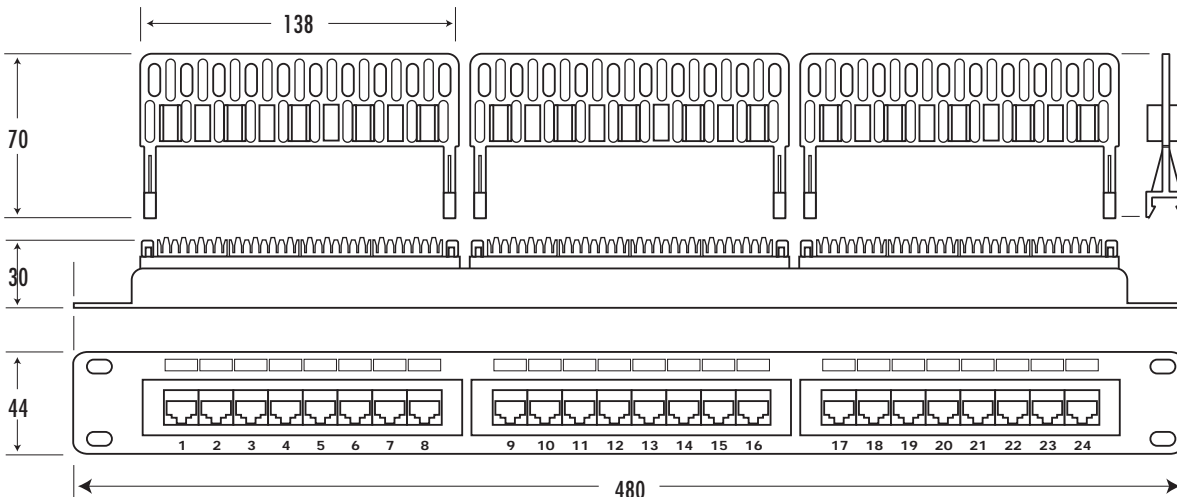


- ➔ TIA & ISO Compliant
- ➔ T568A & T568B wiring
- ➔ Use 110 or Krone-style tool to terminate
- ➔ Complete with cable loom bracket
- ➔ Choice of labelling system



TECHNICAL INFORMATION

Transmission Performance (-dB)			Mechanical Characteristics	
	@100Mhz	CAT5e Standard		
NEXT	44.1	≥ 43.0	Durability	> 700 insertions / extractions
FEXT	42.3	≥ 35.1	RJ45 pin connector	Meets FC part 68, sub part F and IEC-603-7 compliant
Insertion Loss	0.25	≤ 0.40	Contact material	Phosphor Bronze, 50u inches Gold over 100u inches Nickel
Return Loss	34.0	≥ 20.0	IDC Contact	Accepts 0.64mm - 0.40mm (AWG 22 -26)



ORDERING INFORMATION

PP110 281068 24 port RJ45 CAT5e Patch Panel

DISTRIBUTED BY

ANIXTER www.anixter.com

GENERIC
 PATCH PANELS

www.generic-cabling.com
 COMPONENT

 WARRANTY

practical
 cabling
 components