

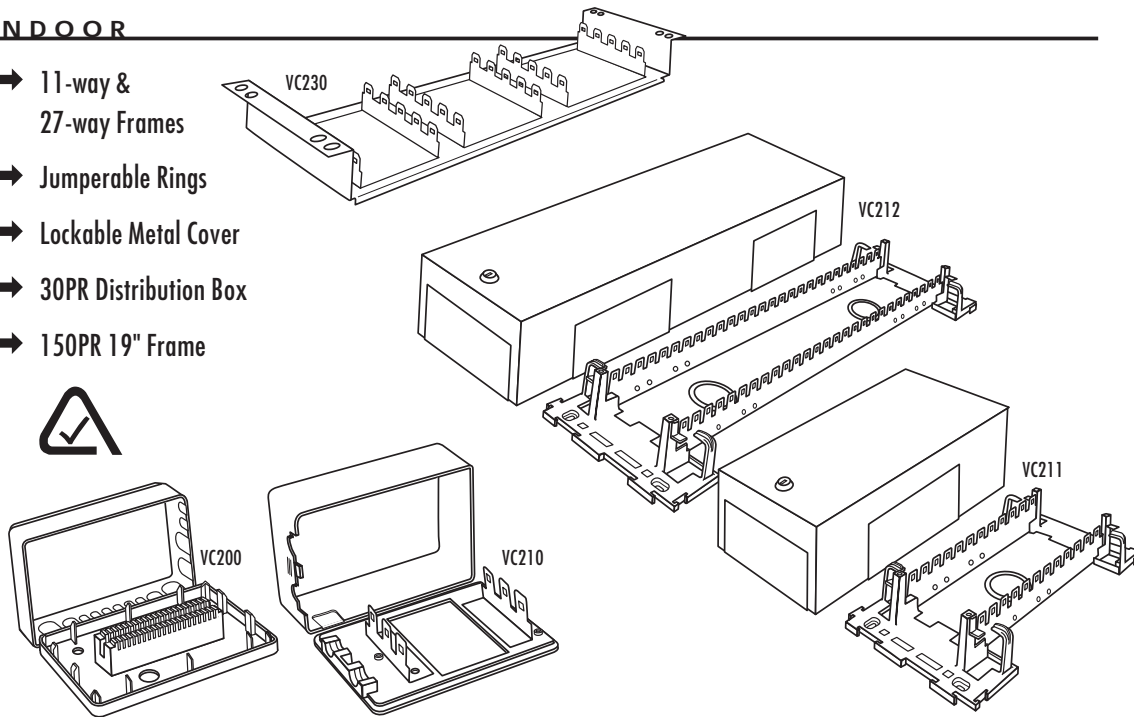
DISCONNECT VOICE MODULE ENCLOSURES

The Generic range of Disconnection Enclosures accept 10PR disconnect modules for voice applications.

Enclosures are available for both Indoor and Outdoor applications.

INDOOR

- ➔ 11-way & 27-way Frames
- ➔ Jumperable Rings
- ➔ Lockable Metal Cover
- ➔ 30PR Distribution Box
- ➔ 150PR 19" Frame



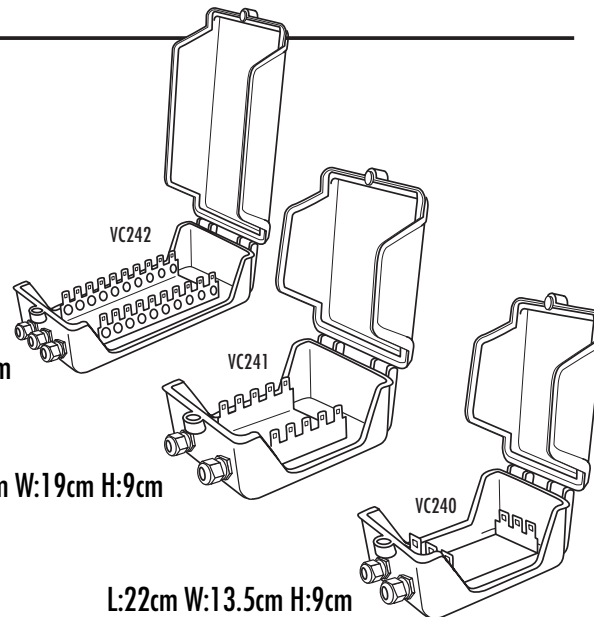
OUTDOOR

- ➔ 30PR, 50PR and 100PR versions
- ➔ Specifically for external use (IP56)
- ➔ Lockable
- ➔ Robust design with integral Sealing Strip
- ➔ Includes Cable Glands

L:38cm W:19cm H:11cm

L:23cm W:19cm H:9cm

L:22cm W:13.5cm H:9cm



ORDERING INFORMATION

VC211	280330	11 way Backmount Frame	VC200	288374	10PR IDF Module - Ivory
VC212	280331	27 way Backmount Frame	VC210	284651	Distribution Box for 3 x 10-Pair Modules
VC221	280332	11 way cover for Backmount Frame - Metal Ivory	VC240	284652	Distribution Box for External Use 30-Pair
VC222	280333	27 way cover for Backmount Frame - Metal Ivory	VC241	284654	Distribution Box for External Use 50-Pair
VC230	287275	15 way Rackmount Frame 3RU	VC242	284655	Distribution Box for External Use 100-Pair

DISTRIBUTED BY

ANIXTER www.anixter.com

GENERIC
VOICE CONNECTION HARDWARE

www.generic-cabling.com
COMPONENT
WARRANTY

practical
cabling
components